

P420

BEDIENUNGSANLEITUNG 2

Bitte vor Inbetriebnahme des Gerätes lesen!

USER INSTRUCTIONS..... 14

Please read the manual before using the equipment!

MODE D'EMPLOI..... 26

Veillez lire cette notice avant d'utiliser le système!

MODO DE EMPLEO..... 38

¡Sirvase leer el manual antes de utilizar el equipo!



Table of Contents

1	Safety and the environment	15
	Environment.....	15
2	Description	16
	Introduction.....	16
	Contents	16
	Optional Accessories.....	16
	Short description	16
	Features.....	17
3	Connecting to Audio Equipment	18
	General.....	18
	Pinout.....	18
	Connecting the Microphone.....	18
4	Operation	19
	Operating instructions.....	19
	Selecting Polar Patterns	20
5	Cleaning	21
	Microphone.....	21
6	Troubleshooting	22
7	Technical data	23

1 Safety and the environment



Risk of damage

Please make sure that the piece of equipment your microphone will be connected to fulfills the safety regulations in force in your country and is fitted with a ground lead.

Environment



- At the end of the lifetime of the product, disconnect the housing, electronics and cable from each other and discard all components according to applicable disposal regulations.
- The packaging is recyclable. Dispose of the packaging via an appropriate collection system provided for this purpose.

2 Description

Introduction

Thank you for your decision to buy an AKG product. **Please read the user instructions carefully** before using the unit and keep them in a safe place so that you can refer to them in the future at any time. We wish you a lot of fun and success!

Contents

- Microphone
- Spider shock mount
- Carrying case

Check that the packaging contains all of the items listed for your system. If anything is missing, please contact your AKG dealer.

Optional Accessories

- **PF80** pop filter
- **ST305** table stand
- **W4000** external windscreen

Short description

The P420 is a heavy-duty, rugged true condenser microphone built to the same strict quality standards as all other AKG products.

Designed on the basis of AKG's decades of knowhow and feedback from sound engineers around the world using AKG studio microphones every day, this general-purpose 1" dual large-diaphragm microphone brings AKG studio quality to the worlds of recording, live sound, and broadcasting.

Features

- **Selectable polar patterns:** The microphone's transducer uses a dual diaphragm. This sophisticated technology allows you to select the optimum polar pattern (cardioid, omnidirectional, or figure eight) for every application.
- **Gold-sputtered diaphragm:** The diaphragm is made of a plastic foil that is gold-sputtered on one side only to prevent shorting to the back electrode even at extremely high sound pressure levels.
- **All-metal body:** The all-metal body adds to the rejection of RF interference so you can use the microphone near transmitter stations and along with wireless microphones or other communications equipment. The extremely rugged, heavy body and sturdy front grill protect the microphone from damage from tough handling on stage.
- **High headroom, minimum distortion:** Capable of handling sound pressure levels up to 155 dB without introducing perceptible distortion and built to resist high temperatures and humidity, the microphone will give excellent results in a wide range of applications.



Figure 1: Polar pattern selector on P420 front, preattenuation and bass cut switches on rear

- **Polar pattern selector:** Selector 1 on the microphone front sets the microphone polar pattern to cardioid, omnidirectional, or figure eight.
- **Switchable preattenuation pad:** Selector 2 on the microphone rear lets you increase the headroom by 20 dB for distortionfree close-in recording. The preattenuation pad prevents the microphone's output level, particularly at low frequencies, from overloading the miniature transformers used in many mixer input stages, etc.
- **Bass cut filter:** Selector 3 on the microphone rear further reduces low-end distortion caused by footfall or wind noise, etc. The filter also minimizes the proximity effect that close-in miking from less than 4 inches causes in any unidirectional microphone. The filter rolls off at 12 dB/octave from 300 Hz downward.

3 Connecting to Audio Equipment

General

The microphone uses a condenser transducer designed for 48-volt phantom powering to IEC 61938 and needs an external power supply.

Pinout

The microphone provides a balanced output on a 3-pin male XLR connector:

Pin 1: ground

Pin 2: hot

Pin 3: cold

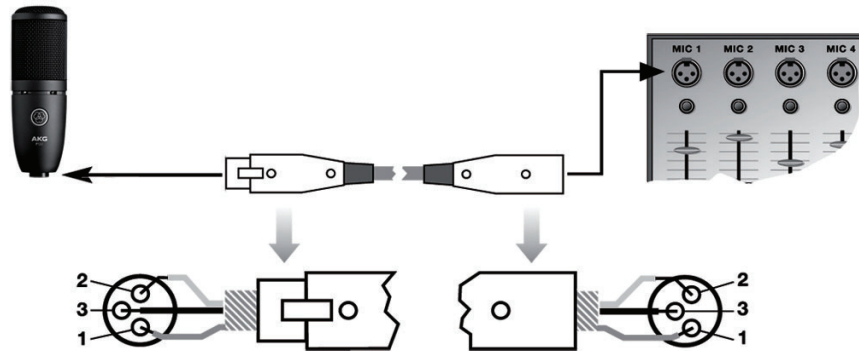


Figure 2: Connecting to a balanced input with phantom power

Connecting the Microphone

- 1) Use an XLR cable to connect the microphone to a balanced XLR input with phantom power.
- 2) Switch the phantom power on. (Refer to the user manual of the unit to which you connected your microphone.)

4 Operation

Operating instructions

The P420 is a general-purpose multi-pattern microphone for recording, broadcast, and onstage use.

Every instrument radiates its sound in a specific way. Therefore, to get the best sound it is crucial to experiment with microphone placement.

- Whichever polar pattern you selected, it may be good to know which way the transducer axis is facing: the **front** of the microphone is the side of the body with the **AKG logo** and polar pattern selector (1) on it.
- When recording wind instruments or vocals, make sure **not to blow or sing directly into the microphone**.

To avoid unwanted wind and pop noise or moisture problems, place an optional **PF80 pop screen** from AKG between the microphone and vocalist/instrument.

- **Keep the microphone dry.** Moisture from blowing or singing directly at the capsule from a short distance, or extremely high humidity may cause the microphone to start crackling or go very quiet due to partial short circuits in the polarization voltage.
- If you use the microphone **in the open air**, use an optional **AKG W4000** windscreen to protect the microphone from moisture and reduce wind noise.
- **High volume instruments:** You can use this microphone for close-in recording of very loud instruments (brass instruments, kick drum, etc.). Just switch the preattenuation pad in to increase the microphone's capability of handling sound pressure levels to 155 dB.
- **Low-frequency noise:** To suppress low-frequency noise such as air conditioning rumble, footfall noise, or traffic sounds, switch the bass cut filter in.



Figure 3: Microphone front

Selecting Polar Patterns

Each of the P420's selectable polar patterns is virtually frequency independent so that reflected sound, too will be reproduced accurately and uncolored.

- **Cardioid** (center setting): This is a standard setting for recording and gives excellent results on all kinds of voices and a wide range of instruments. Remember to aim the microphone front at the sound source.
- **Figure eight** (left-hand setting): The microphone will pick up sounds arriving from the front and rear with equal sensitivity. Use this mode to mic up the side signal in M/S stereo recording or to record two sound sources (talkers, instruments) facing each other. It is also a good choice for cymbal overhead miking.
- **Omnidirectional** (right-hand setting): This is the preferred setting for "all around the mic" recording, high quality ambience (audience sound) miking, or far-field recording in exceptionally good-sounding large or small recording rooms, etc.

5 Cleaning

Microphone

- Use a soft cloth moistened with water to clean the surface of the microphone body.

6 Troubleshooting

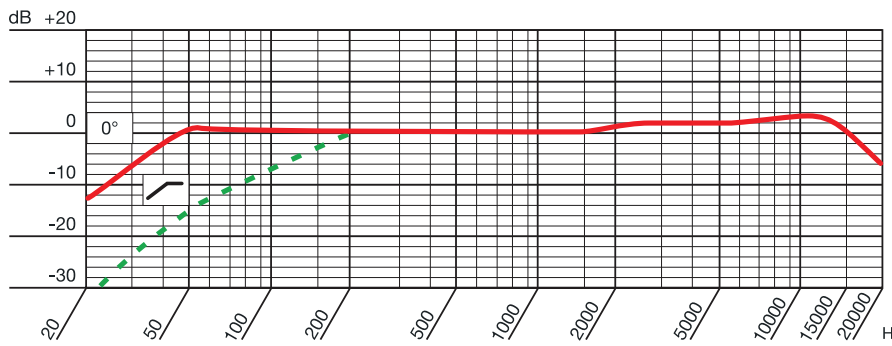
Problem	Possible Cause	Remedy
No sound	Power to mixer and/or amplifier is off.	Switch power to mixer or amplifier on.
	Channel or master fader on mixer, or volume control on amplifier is at zero.	Set channel or master fader on mixer or volume control on amplifier to desired level.
	Microphone is not connected to mixer or amplifier.	Connect microphone to mixer or amplifier.
	Cable connectors are seated loosely.	Check cable connectors for secure seat.
	Cable is defective.	Check cable and replace if damaged.
	No supply voltage	Switch phantom power on. Phantom power supply: connect to power outlet or insert battery (batteries). Check cable and replace if necessary.
Distortion	Channel gain control on mixer set too high.	Turn gain control down CCW.
	Microphone too close to sound source.	Move microphone further away from sound source.
	Microphone sensitivity set too high.	Switch preattenuation pad in.
Crackling noises or low output	Partial short circuits due to excessive humidity.	Place microphone in warm, dry room and allow to dry.

7 Technical data

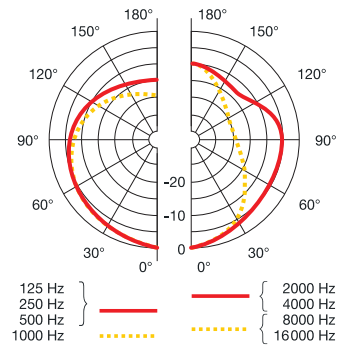
Type:	1" dual-diaphragm, true condenser pressure-gradient microphone
Polar pattern:	cardioid, omnidirectional, figure eight
Sensitivity:	(cardioid) 28 mV/Pa (-31 dBV)
Frequency response:	20 Hz to 20 kHz (see frequency response trace)
Electrical impedance:	≤ 200 ohms
Recommended load impedance:	≥ 1000 ohms
Equivalent noise level to IEC 60268-4:	15 dB(A)
Signal to noise:	79 dB(A) re 1 Pa
Max. SPL for 0.5% THD:	135 / 155 dB SPL (0 / -20 dB)
Temperature range:	-10 °C to +60 °C (14 °F - 140 °F)
Phantom powering:	48 V ±4 V to IEC 61938
Current consumption:	≤ 3 mA
Connector:	3-pin XLR (pin 2 hot)
Diameter:	54 mm (2.13 in.)
Length:	165 mm (6.5 in.)
Net weight:	530 g (18.7 oz)
Bass cut pad:	300 Hz, 12 dB/octave
Preattenuation pad:	-20 dB

Technical data

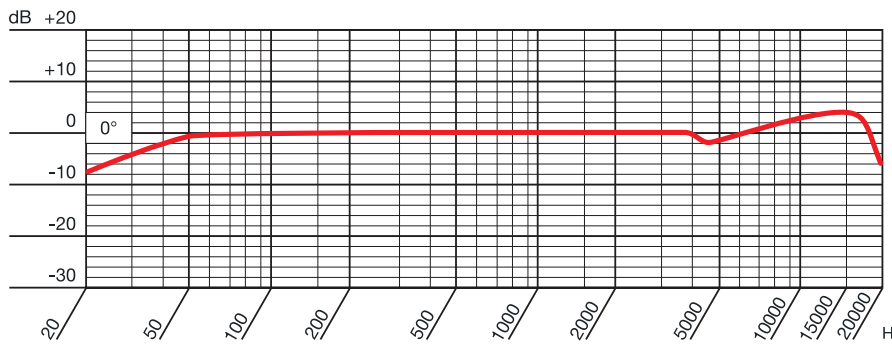
Frequency Response (cardioid)



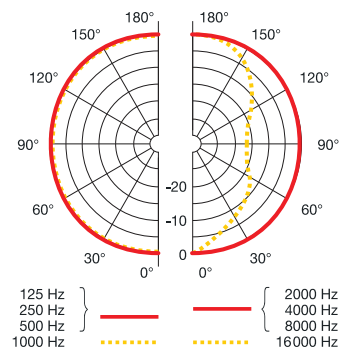
Polar Diagram



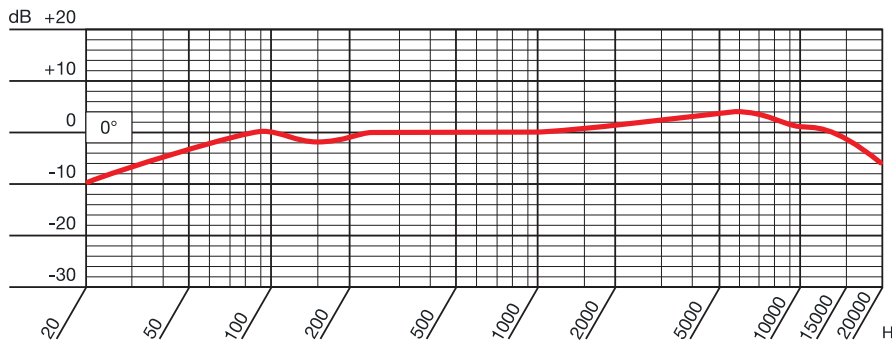
Frequency Response (omnidirectional)



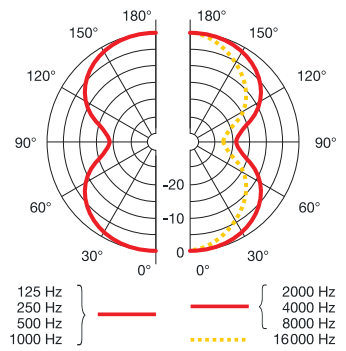
Polar Diagram



Frequency Response (figure eight)



Polar Diagram



This product corresponds to the standards stated in the Declaration of Conformity. You can request the Declaration of Conformity by e-mail from sales@akg.com.

Mikrofone · Kopfhörer · Drahtlosmikrofone · Drahtloskopfhörer · Kopfsprechgarnituren · Akustische Komponenten
Microphones · Headphones · Wireless Microphones · Wireless Headphones · Headsets · Electroacoustic Components
Microphones · Casques HiFi · Microphones sans fil · Casques sans fil · Micros-casques · Composants acoustiques
Microfoni · Cuffie HiFi · Microfoni senza filo · Cuffie senza filo · Cuffie-microfono · Componenti acustici
Micrófonos · Auriculares · Micrófonos inalámbricos · Auriculares inalámbricos · Auriculares con micrófono · Componentes acústicos
Microfones · Fones de ouvido · Microfones s/fios · Fones de ouvido s/fios · Microfones de cabeça · Componentes acústicos

AKG Acoustics GmbH

LAXENBURGER STRASSE 254, A-1230 VIENNA/AUSTRIA, TELEFON: +43 1 86654 0
E-MAIL: SALES@AKG.COM

Für andere Produkte und Händler weltweit besuchen Sie www.akg.com



Technische Änderungen vorbehalten. Specifications subject to change without notice. Ces caractéristiques sont susceptibles de modifications. Ci riserviamo il diritto di effettuare modifiche tecniche. Nos reservamos el derecho de introducir modificaciones técnicas. Especificações sujeitas a mudanças sem aviso prévio.

Printed in China (P.R.C.)

03/14/5042915



WARRANTY CARD

GARANTIEKARTE · CARTE DE GARANTIE
CARTA DI GARANZIA · TARJETA DE GARANTIA

KÄUFER/PURCHASED BY/
ACHETEUR/COMPRADOR/
CLIENTE:

DATUM/DATE/DATA/FECHA:

VERKÄUFER/SOLD BY/
VENDEUR/RIVENDITORE/
VENDEDOR:

SERIAL NUMBER/SERIEN-
NUMMER/NUMERO DE
SERIE/NUMERO DI SERIE:

WIR GRATULIEREN ...

... und bedanken uns dafür, dass Sie sich für den Kauf eines AKG Produktes entschieden haben. Seit mehr als sechzig Jahren zählt AKG zu den führenden Herstellern von Mikrofonen, Kopfhörern und Sound Reinforcement Produkten. Unzählige AKG Entwicklungen wurden bereits als Patent registriert. Die sprichwörtliche AKG Qualität erfreut sich weltweit wachsender Beliebtheit, und wir sind überzeugt, dass auch dieses AKG Produkt Ihren Wünschen und Vorstellungen entsprechen wird. Für den Fall, dass sich dennoch einmal ein Problem einstellt, dürfen wir auf die folgenden Garantiebedingungen verweisen. Wenden Sie sich im Fall von Produktproblemen an erster Stelle an den Fachhändler, bei dem Sie das Produkt gekauft haben. Sollte dies nicht möglich sein, setzen Sie sich bitte mit der für Ihr Land zuständigen AKG Vertretung in Verbindung. Die jeweilige Adresse entnehmen Sie bitte unserer Website www.akg.com. Sie wird Ihnen bei den unten angeführten Adressen auf Anfrage auch gerne mitgeteilt.

Weiterführende Informationen finden Sie auf unserer Homepage www.akg.com

CONGRATULATIONS ...

... and thank you for buying an AKG brand product. AKG has been a leading manufacturer of microphones, headphones, and sound system products for more than sixty years. Numerous inventions by AKG have been patented. Users all over the world appreciate the proverbial quality of AKG equipment and we trust this product will fulfill all your needs and expectations. Should there be a problem, please read the following Warranty Conditions. If you have a problem with an AKG product, see the dealer from whom you purchased the product first. If this is not possible, please get in touch with the AKG Distributor for your region or country. To find the appropriate address, please visit the AKG website at www.akg.com or contact one of the addresses listed below.

For more information visit www.akg.com

NOUS VOUS FÉLICITONS ...

... et vous remercions d'avoir choisi un produit de la marque AKG. Depuis plus de 60 ans AKG, qui a fait breveter un nombre considérable d'inventions, est l'un des grands fabricants de microphones, casques et autres produits destinés à l'amplification du son. La légendaire qualité AKG est de plus en plus demandée dans le monde entier et nous sommes persuadés que le produit AKG que vous venez d'acquérir répondra lui aussi en tous points à votre attente. Au cas où malgré tout un problème se poserait, nous attirons votre attention sur les conditions de garantie suivantes. Veuillez vous adresser alors en premier lieu au magasin où vous avez acheté produit. Si ce n'est pas possible, contactez la société distribuant les produits AKG dans votre pays. Vous trouverez l'adresse sur notre site www.akg.com. Vous pouvez également la demander à l'une des adresses ci-dessous. Vous trouverez de plus amples informations sur notre site www.akg.com

CONGRATULAZIONI ...

... e grazie di aver acquistato un prodotto di marca AKG. Da oltre sessant'anni l'AKG è tra i produttori leader di microfoni, cuffie e prodotti per il sound reinforcement. Numerosissime sue innovazioni sono state brevettate. La proverbiale qualità AKG gode di crescente popolarità su scala mondiale. Siamo convinti che anche questo prodotto AKG corrisponderà ai vostri desideri e alle vostre aspettative. Nel caso si dovesse verificare un problema, vi ricordiamo le seguenti condizioni di garanzia e vi preghiamo di rivolgervi in primo luogo al rivenditore specializzato dal quale avete acquistato il prodotto. Se ciò non fosse possibile, contattate il distributore AKG del vostro Paese. L'indirizzo si trova al sito internet www.akg.com oppure viene comunicato su richiesta.

Per ulteriori informazioni visitate il nostro sito www.akg.com

FELICITACIONES ...

... y gracias por haberse decidido en su compra por un producto de marca AKG. Hace ya más de sesenta años que AKG se encuentra entre los fabricantes líderes de micrófonos, auriculares o productos de refuerzo acústico y un sinnúmero de productos desarrollados por AKG han sido patentados. La proverbial calidad de AKG goza en todo el mundo de creciente popularidad y estamos convencidos de que también este producto AKG corresponderá a sus deseos y expectativas. Si a pesar de todo llegara a surgir un problema, rogamos tener en cuenta las disposiciones siguientes. En caso de problemas con su producto, dirijase primeramente al concesionario oficial, donde lo adquirió. En caso de que no sea posible, por favor contacte a la representación de AKG en su propio país. La dirección la encontrará bajo www.akg.com, o bien se la remitiremos a petición.

Encontrará más información en nuestra página web www.akg.com

www.akg.com

AKG Acoustics GmbH
Laxenburger Straße 254, 1230 Vienna/AUSTRIA, Tel.: +43 1 86654-0
e-mail: service@akg.com

AKG Acoustics, U.S.
Service Dept., 8500 Balboa Boulevard, Northridge, CA 91329/USA, phone: +1 818 920-3212
e-mail: akgusaservice@harman.com or akgusatechsupport@harman.com



GARANTIEBEDINGUNGEN

• AKG gewährt zwei Jahre* Garantie ab dem Datum des Verkaufs von fabriksneuen, ungebrauchten Geräten. Diese Garantie erstreckt sich auf Material und Arbeitszeit zur Behebung nachweislicher Material- und Fabrikationsfehler. Der Garantieanspruch erlischt bei unsachgemäßer Handhabung, elektrischer oder mechanischer Beschädigung durch missbräuchliche Anwendung, Schäden infolge höherer Gewalt oder durch Elementarereignisse sowie bei unsachgemäßer Reparatur durch nichtautorisierte Werkstätten.

• Der Garantieanspruch gilt nur in dem Land, in dem das Produkt gekauft worden ist.

• Vom Garantieanspruch ausgenommen sind Batterien sowie die normale Abnutzung von Teilen.

• Voraussetzung für die Garantieleistung ist die Vorlage der ordnungsgemäß durch den Fachhändler ausgefüllten Garantiekarte bzw. der Kaufrechnung. Sollte Ware auf dem Versandweg zur Garantiereparatur eingereicht werden, liegt das Risiko der Zusage beim Kunden. Die Garantie wird ausschließlich für den ursprünglichen Käufer als Endverbraucher geleistet. Es obliegt AKG, zur Garantiereparatur überlassene Ware entweder zu reparieren oder auszutauschen.

• Sollten in Ihrem Land andere, über diese Regelungen hinausgehende, gesetzliche Bestimmungen in Bezug auf Produkt-Gewährleistung in Kraft sein, treten diese an Stelle der hier genannten Konditionen.

* Für Produkte der Marke Crown® und bestimmte Kondensatormikrofone: 3 Jahre beschränkte Garantie (nähere Informationen auf www.akg.com).

CONDIZIONI DI GARANZIA

• AKG presta garanzia per due anni* dalla data di vendita di apparecchi nuovi di fabbrica, non usati. Questa garanzia si estende al materiale e alle ore di lavoro necessari per eliminare difetti di materiale e di fabbricazione comprovati. Il diritto di garanzia si estingue in caso di manipolazione impropria, danneggiamento elettrico o meccanico dovuto all'uso improprio, danni causati da forza maggiore o da calamità naturali e in caso di riparazione inesperta eseguita da officine non autorizzate.

• Sono escluse dal diritto di garanzia le batterie e l'usura normale dei componenti.

• La garanzia è valida solo nel paese in cui è stato acquistato il prodotto.

• Presupposto per la prestazione della garanzia è la presentazione della scheda di garanzia debitamente compilata dal rivenditore specializzato o della fattura. Se la merce dovesse venir spedita per far effettuare la riparazione in garanzia, la spedizione è a rischio e pericolo del cliente. La garanzia verrà prestata esclusivamente per l'acquirente originale che è consumatore finale. Spetta all'AKG la decisione se riparare la merce consegnata per la riparazione in garanzia o se sostituirla.

• Se nel vostro Paese dovessero essere in vigore altre norme di legge relative alla garanzia su prodotti più ampie delle presenti norme, esse sostituiscono le condizioni qui citate.

* Per prodotti di marca Crown® e determinati microfoni a condensatore: 3 anni di garanzia limitata (per ulteriori informazioni consultate il sito www.akg.com).

WARRANTY CONDITIONS

Valid outside the United States of America and Canada

• AKG warrants new, unused AKG products against evident defects in material and workmanship for a period of two years* from the date of original purchase. This warranty does not cover any electrical or mechanical damage resulting from misuse or abuse, lack of reasonable care, damage due to force majeure or natural forces, or inadequate repairs performed by unauthorized service centers.

• Warranty service is only available in the region where you purchased the product.

• Batteries and wear of parts due to normal use are not covered by this warranty.

• Performance of repairs or product replacement under this warranty is subject to presentation of this warranty card completed and signed by the dealer on the day of purchase, or of the sales receipt. Shipment of the defective item for repair under this warranty will be at the customer's own risk and expense. This warranty is valid for the original purchaser as the final user only. AKG will, at AKG's option, repair or replace items returned for repair under this warranty.

• In some countries, product liability legislation may give you other rights beyond the scope of this warranty card. Where this applies, such rights shall replace the rights and conditions stated in this warranty card.

* 3-year limited warranty for Crown® branded products and specific condenser microphones (see www.akg.com for details).

LIMITED WARRANTY

Valid in the United States of America and Canada

AKG warrants AKG products against defects in material and workmanship for a period of two years* from the date of original purchase, and agrees to repair or, at AKG's option, replace any defective item without charge for either parts or labor.

This warranty is valid for AKG products purchased and delivered within the United States and Canada for the original purchaser only. The purchaser's sales receipt will serve as proof of sale and warranty validity in the USA and Canada. Shipment of defective items to AKG for repair will be at the customer's own risk and expense. AKG will assume the return shipping cost for all items repaired under this warranty.

IMPORTANT: This warranty does not cover damage resulting from accident, misuse or abuse, lack of reasonable care, the affixing of any attachment not provided with the product, loss of parts, or connecting the product to any receptacle other than those specified.

This warranty is void unless all repairs of this product are performed by AKG Acoustics' U.S. service center or the authorized AKG Service Center of Canada. AKG assumes no liability for any special, incidental or consequential damage caused by the user. However, the limitation of any right or remedy shall not be effective where such limitation may be prohibited by law.

* 3-year limited warranty for Crown® branded products and specific condenser microphones (see www.akg.com for details).

CONDITIONS DE GARANTIE

• AKG accorde une garantie de deux ans* à partir de la date de la vente d'appareils neufs, tels qu'ils sont sortis de l'usine et n'ayant pas encore été en usage. Cette garantie porte sur les fournitures et les heures de main d'œuvre nécessaires pour éliminer un vice de matière ou de fabrication avéré. La garantie s'éteint en cas de non respect des prescriptions d'utilisation, de détérioration sur la partie électrique ou mécanique due à une utilisation non conforme, d'un dommage causé par la force majeure ou les forces de la nature, de même que si une réparation a été effectuée de façon incorrecte par un atelier non autorisé.

• Sont exclues de la garantie les piles et les pièces d'usure.

• La garantie est valable uniquement dans le pays où le produit a été acheté.

• Pour toute mise en oeuvre de garantie, vous devez présenter le bulletin de garantie dûment rempli par le revendeur ou la facture qui vous a été remise à l'achat. Si l'appareil doit être expédié pour faire effectuer la réparation sous garantie, le risque lié à l'expédition incombe au client. L'acheteur, en tant que consommateur final, pourra seul bénéficier de la garantie. Il incombe à AKG de réparer ou de remplacer les produits qui lui auront été envoyés pour réparation sous garantie.

• Les dispositions stipulées ci-dessus ne sont pas exclusives du bénéfice, au profit de l'acheteur, de la garantie légale pour défaut et vice cachés qui s'applique, en tout état de cause, dans les conditions des articles 1641 et suivants du Code Civil.

* Pour les produits de la marque Crown® et certains microphones électrostatiques: 3 ans de garantie limitée (pour obtenir plus d'informations, visitez www.akg.com).

CONDICIONES DE GARANTIA

• AKG concede dos años* de garantía a partir de la fecha de venta de aparatos nuevos de fábrica y no usados. Esta garantía incluye el material y las horas de trabajo para reparar defectos comprobables de material y fabricación. El derecho de garantía caduca en caso de procederse a una manipulación inadecuada, en caso de producirse un daño eléctrico o mecánico por uso indebido, en caso de daños debidos a fuerza mayor o catástrofes naturales así como también en caso de reparaciones inadecuadas por parte de talleres no autorizados.

• La garantía sólo es válida en el país donde se ha comprado el producto.

• Quedan excluidos del derecho de garantía las pilas y el desgaste natural de las piezas.

• La prestación de la garantía está sujeta a la presentación de la Tarjeta de Garantía, rellena correctamente por el vendedor autorizado, o de la factura de compra. En caso de procederse al envío de productos para una reparación bajo garantía, el cliente asume el riesgo del envío. La garantía se concede única y exclusivamente al comprador original en su calidad de usuario final. Compete a AKG reparar o cambiar los productos recibidos para una reparación en garantía.

• Si en su país están en vigor disposiciones legales que superen estas disposiciones relativas a la garantía sobre productos, se aplicarán éstas en lugar de las condiciones aquí mencionadas.

* Para los productos de la marca Crown® y determinados micrófonos de condensador: 3 años de garantía limitada (puede encontrar más informaciones en el sitio web www.akg.com).

